

FIG. 1

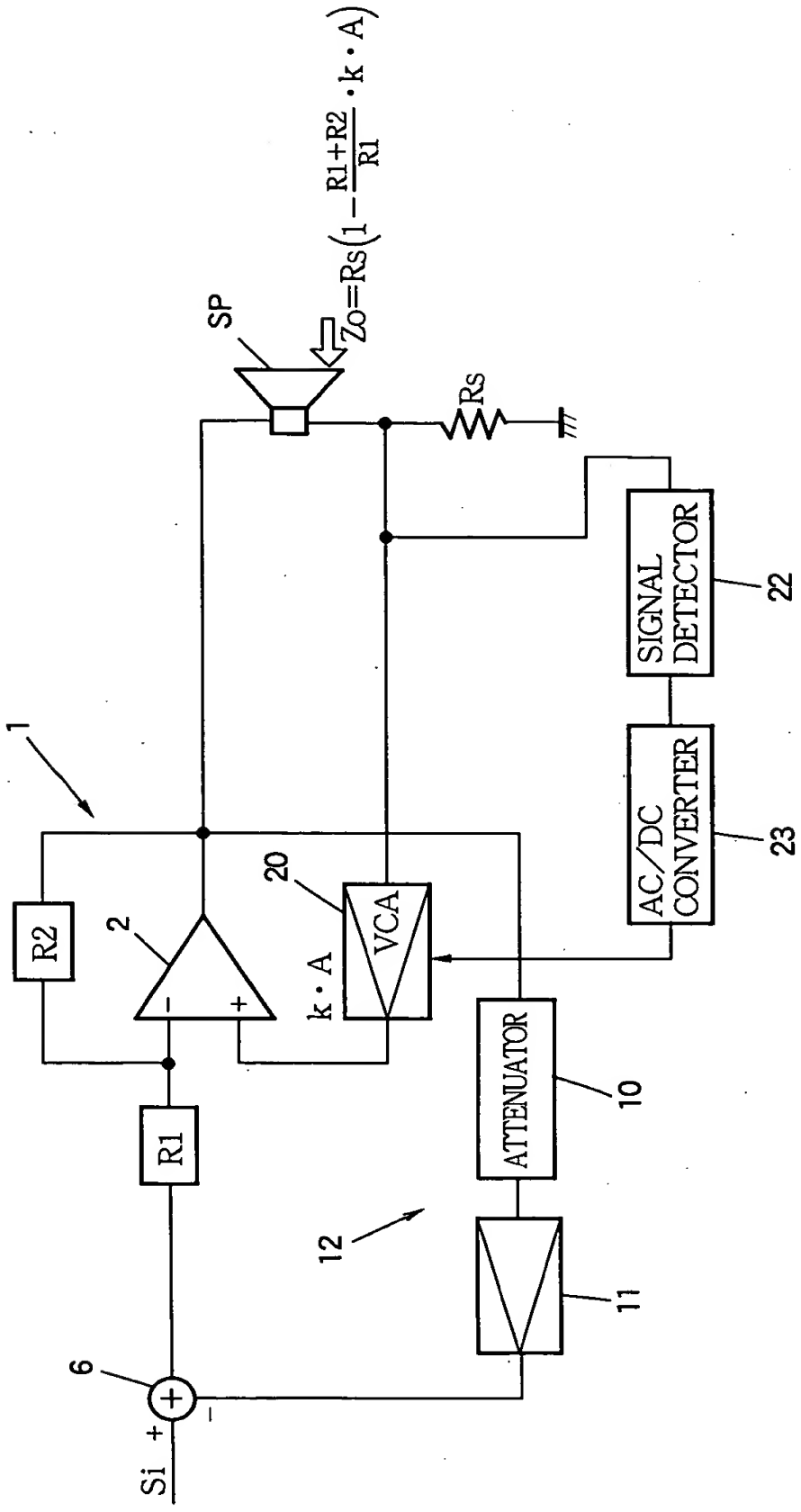
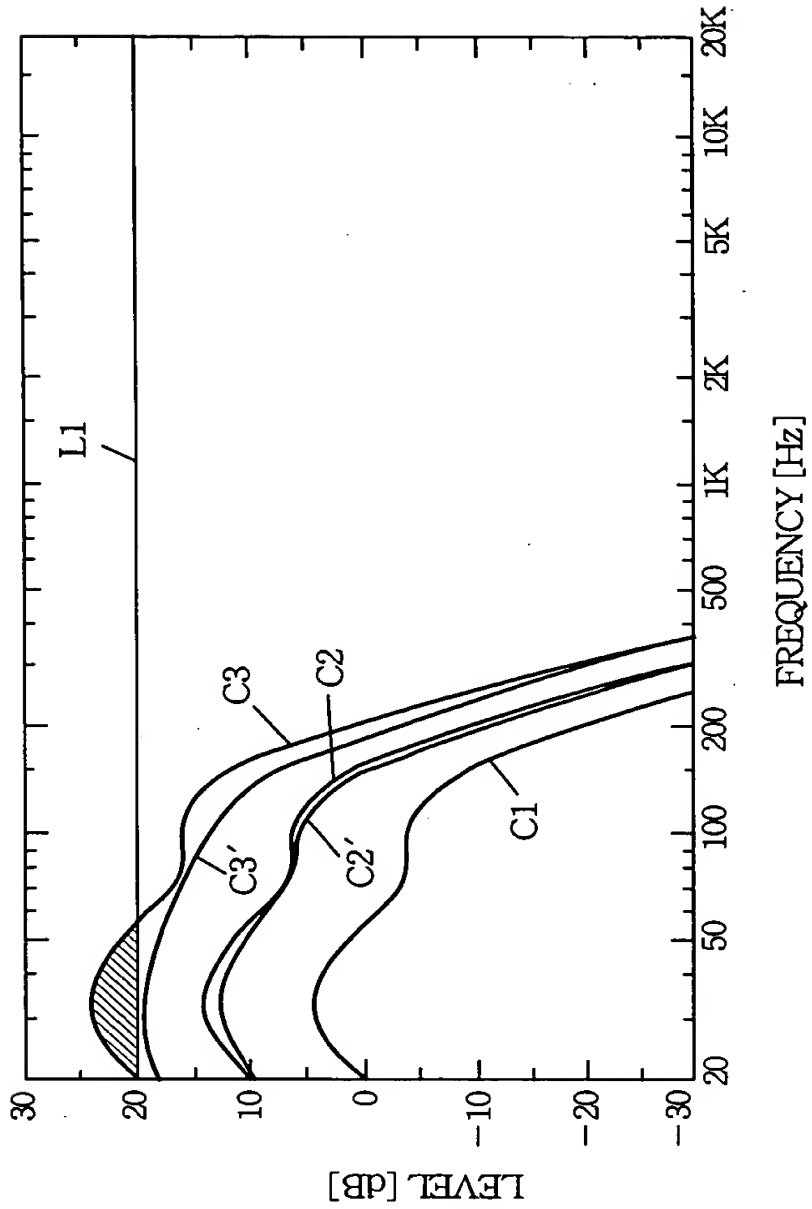


FIG.2



3/4

FIG.3 (a)

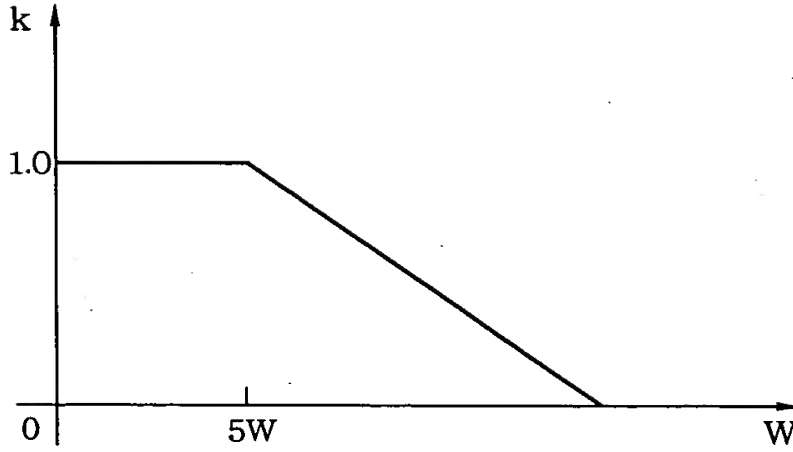
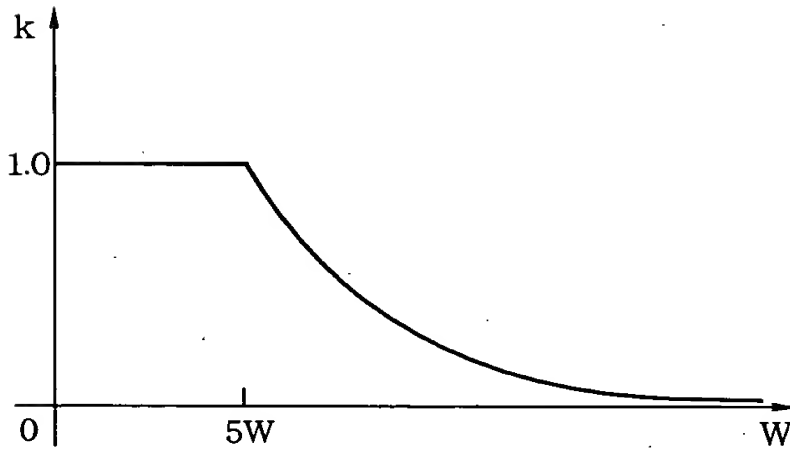


FIG.3 (b)



Patent Application

FIG. 4

PRIOR ART

